

Carolina Instructions

Loveseat Pullout and Twin Chair Pullout

Manufactured by



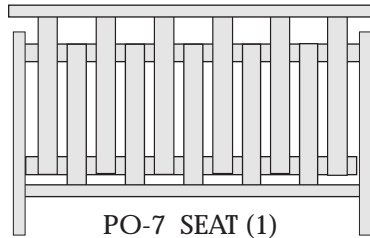
290 DAIRY PAK RD. • ATHENS, GA 30607 • 800-543-3393

1

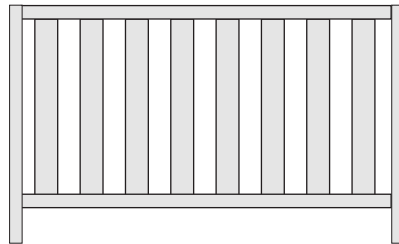
- PLEASE FIND ALL OF THE PARTS OF YOUR FRAME. THEN TAKE A MINUTE TO LOOK AT THE PARTS.
- SOME PARTS MAY LOOK BETTER THAN OTHERS. LOOK FOR CIRCLES WITH ARROWS IN THE INSTRUCTIONS TO SHOW YOU WHERE TO PUT THE BETTER PARTS.
- DOING THIS WILL HELP YOUR FRAME LOOK ITS BEST!

PARTS LIST

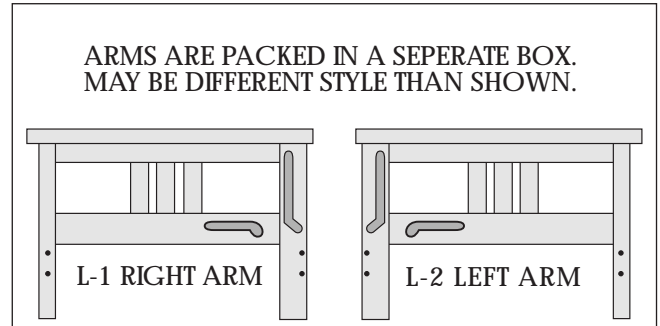
L-3	STRETCHERS	2
L-6	BACK	1
PO-7	SEAT	1
H-1	60mm BOLT	4
H-2	100mm BOLT	4
H-3	CROSS DOWEL	8
H-5	HAIR PIN	6
H-6	WASHER	4
H-14	45mm CLEVIS PIN	4
H-8	55mm CLEVIS PIN	2
H-9	PLASTIC BUSHING	4
H-10	HEX WRENCH	1



PO-7 SEAT (1)



L-6 BACK (1)

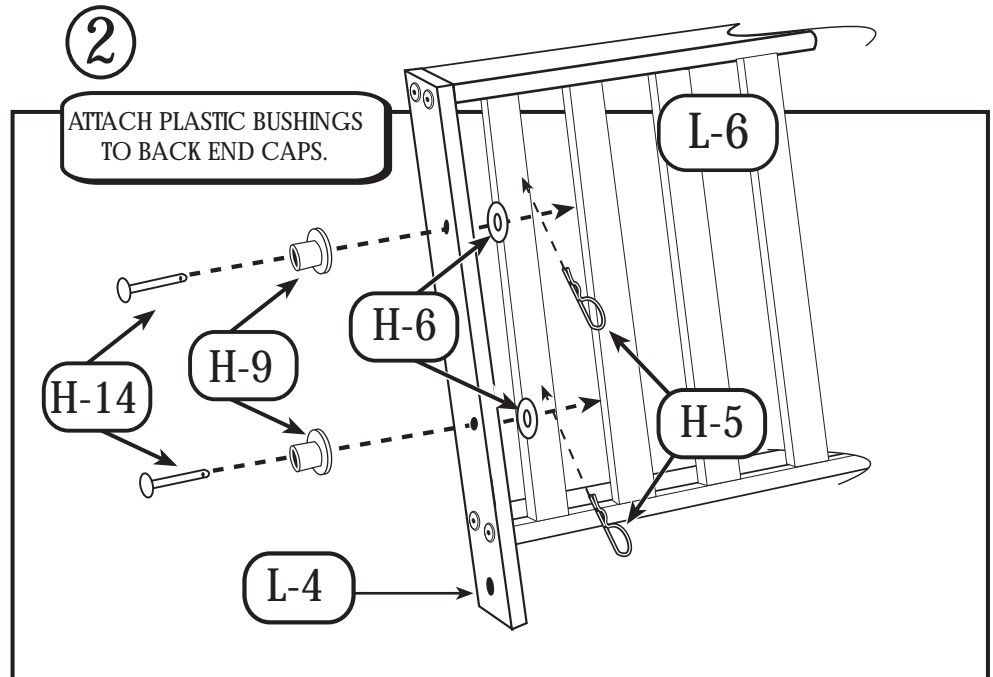


L-3 STRETCHERS (2)

2

NOTE:

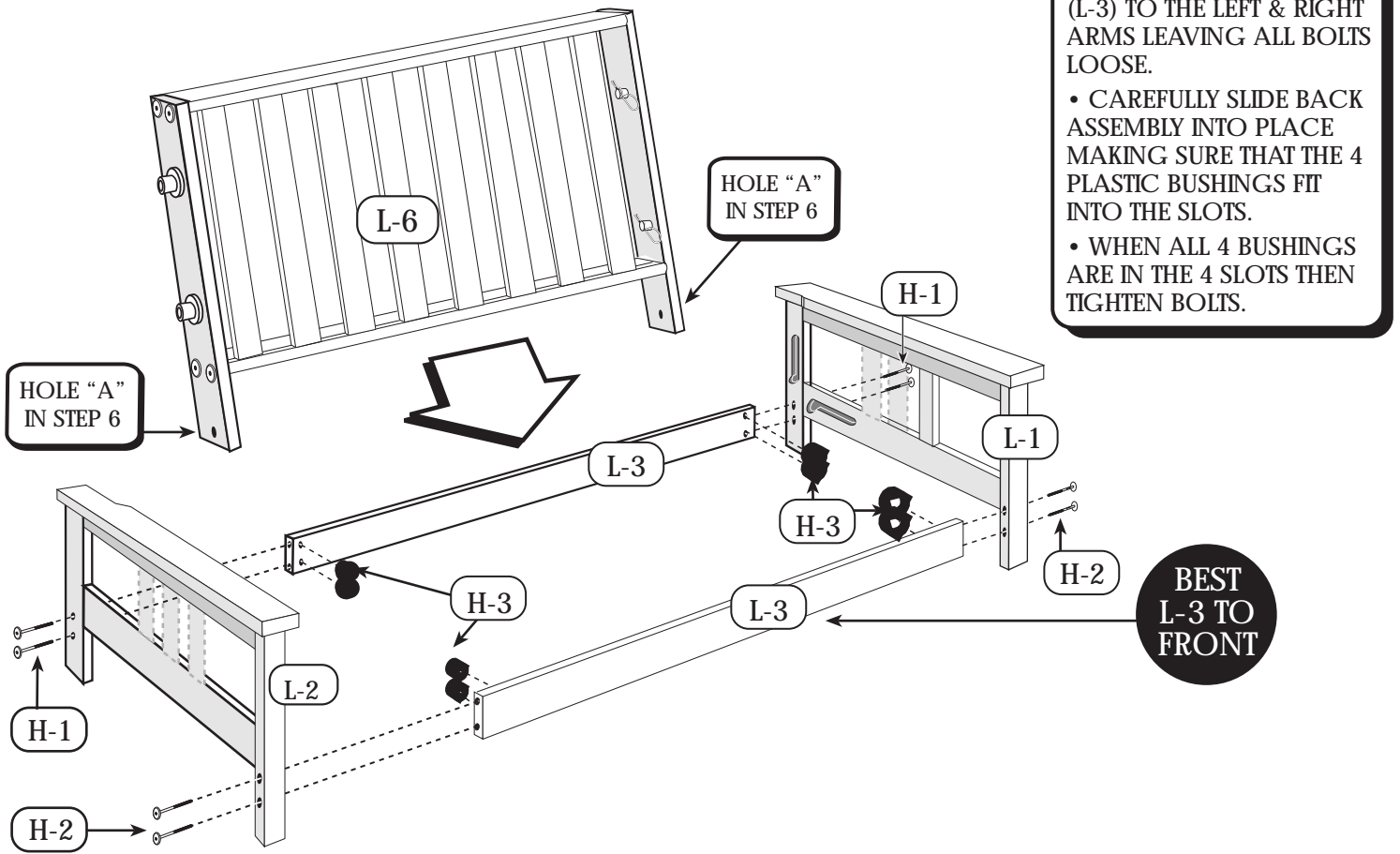
THIS FRAME IS MADE WITH TULIP POPLAR. THE GREENISH COLOR OF THE HEARTWOOD WILL CHANGE TO A LIGHT BROWN OVER TIME. YOU CAN PLACE THE FRAME IN DIRECT SUNLIGHT FOR ONE HOUR TO COMPLETELY CHANGE THE GREEN TO BROWN. IT IS RECOMMENDED THAT YOU DO THIS IF YOU ARE GOING TO PUT A FINISH ON THE FRAME.



Knockdown Frameworks, Inc. warrants all of its products for five years against any defects that are due to faulty materials or workmanship. We will promptly correct such defects by repair or replacement, at our option, without charge. This warranty covers product defects only and will expire five years after date of purchase by the original consumer purchaser, with proof of purchase required.

This warranty does not apply to damage caused by and resulting from misuse, neglect, accident, or improper operation, maintenance, storage, transportation, or handling of the product. This warranty is for the original consumer purchaser for residential use only and does not apply if the product is used in any commercial application (such as rental property). This warranty does not cover any incidental or consequential damages. If you feel that you have a claim under this warranty, please contact the store from which it was purchased. If this is not possible, call 800-543-3393 for advice on handling your claim.

3



- ATTACH THE STRETCHERS (L-3) TO THE LEFT & RIGHT ARMS LEAVING ALL BOLTS LOOSE.
- CAREFULLY SLIDE BACK ASSEMBLY INTO PLACE MAKING SURE THAT THE 4 PLASTIC BUSHINGS FIT INTO THE SLOTS.
- WHEN ALL 4 BUSHINGS ARE IN THE 4 SLOTS THEN TIGHTEN BOLTS.

4

